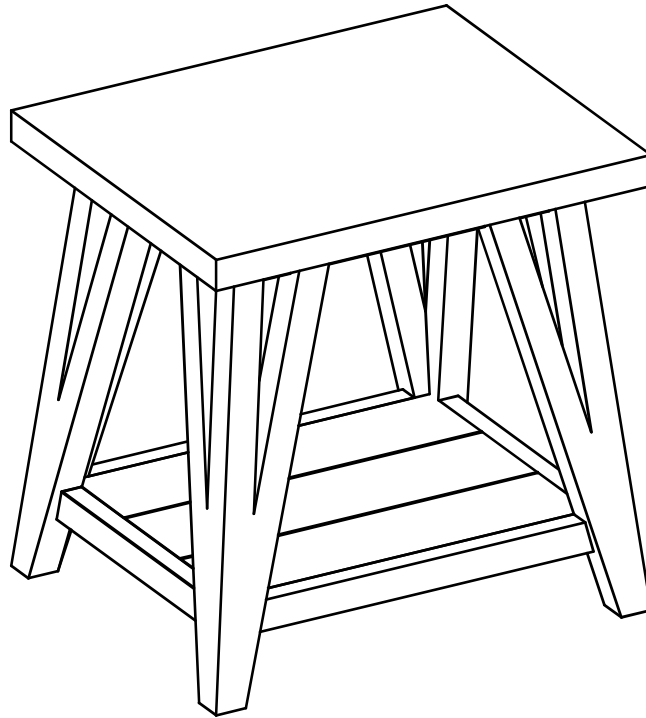


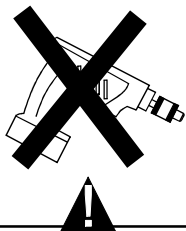
ASSEMBLY INSTRUCTIONS

BROOKSIDE END TABLE

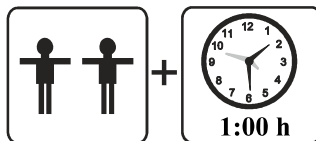


REPLACEMENT PARTS

Please do not contact the company purchased from as we can help you faster.
Order replacement parts and hardware at www.boltonfurniture.com



* Use of power tool to assemble this product will invalidate any claim and damage this product making it unsafe !!!
* Please assemble on a clean soft surface to avoid damage.

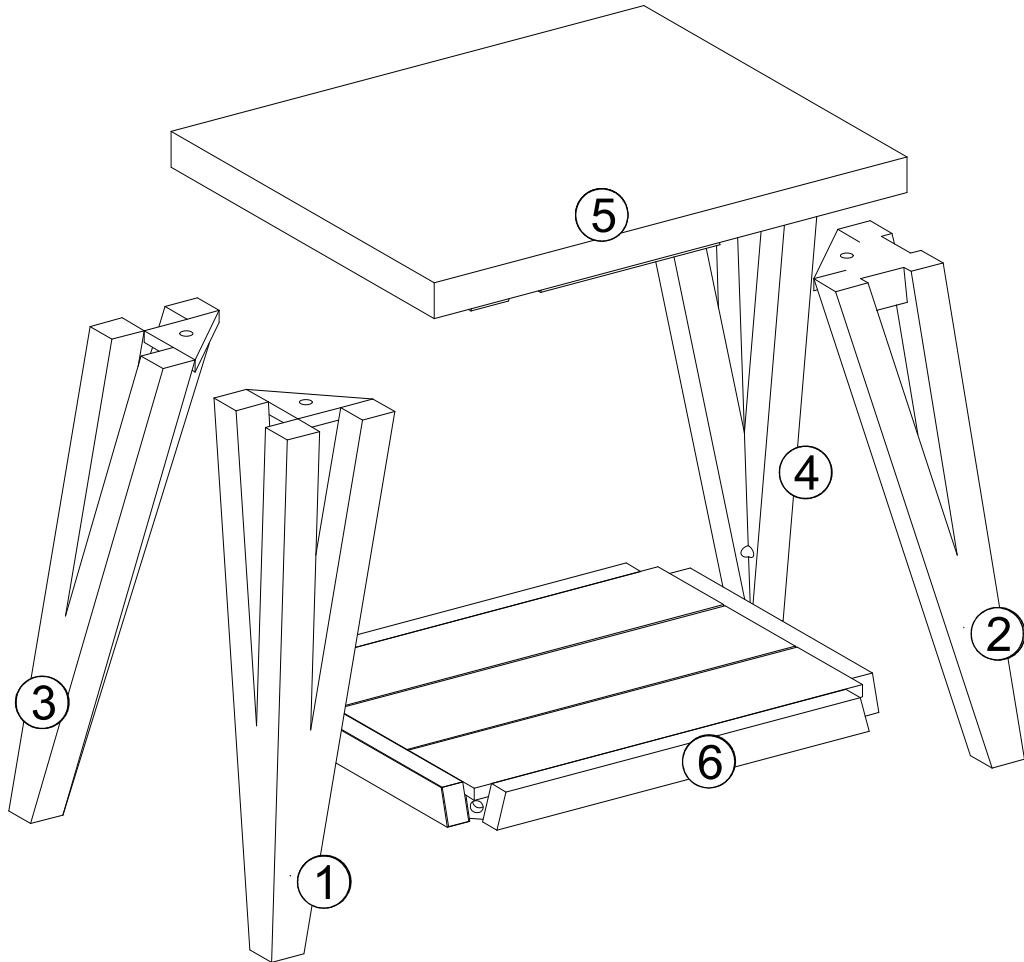


Tools Required

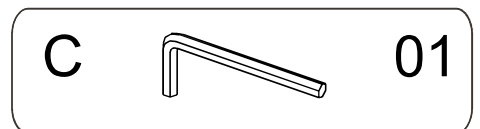
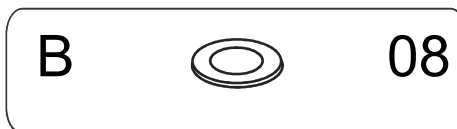
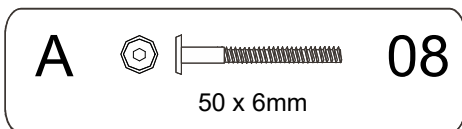


(Included)

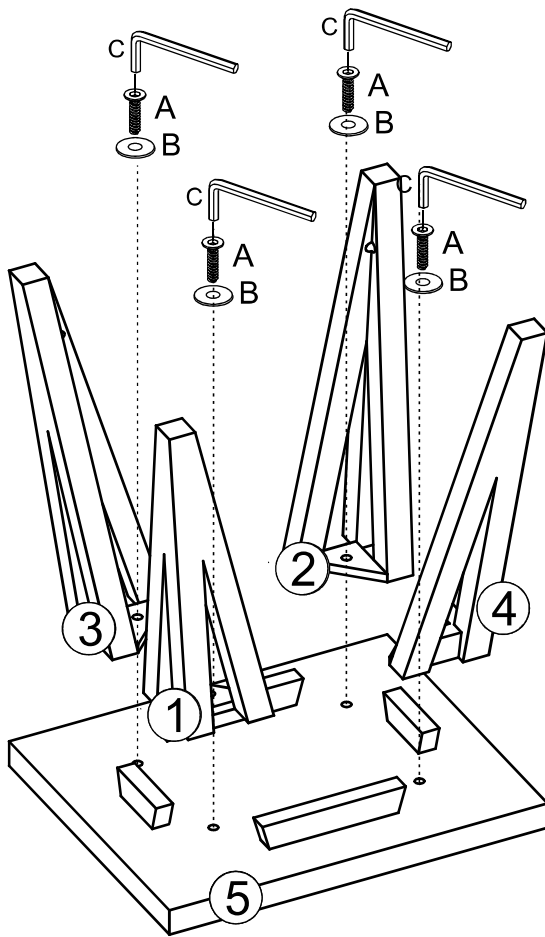
Part List - Brookside End Table

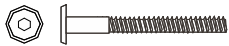


Identifying the Hardware-Identify the hardware using the illustrations below.



01

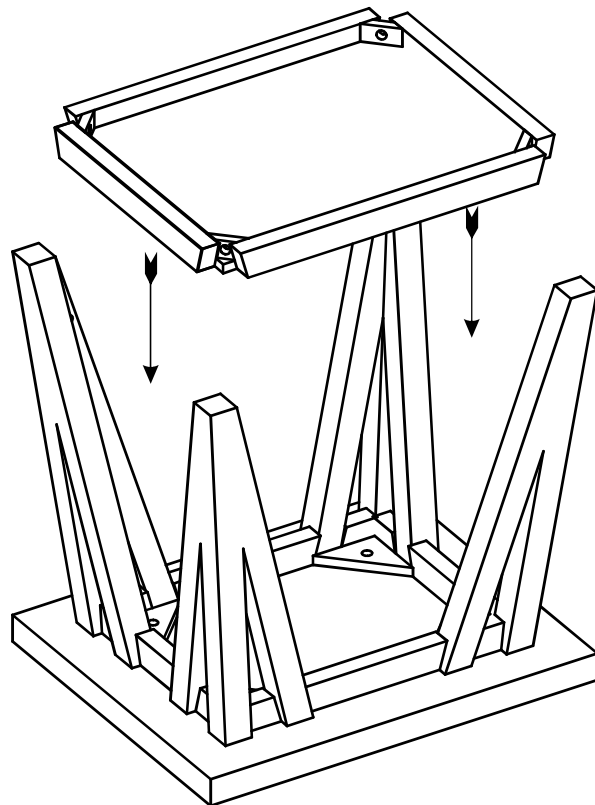


A  04
50 x 6mm

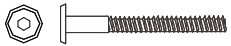

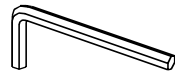
B  04

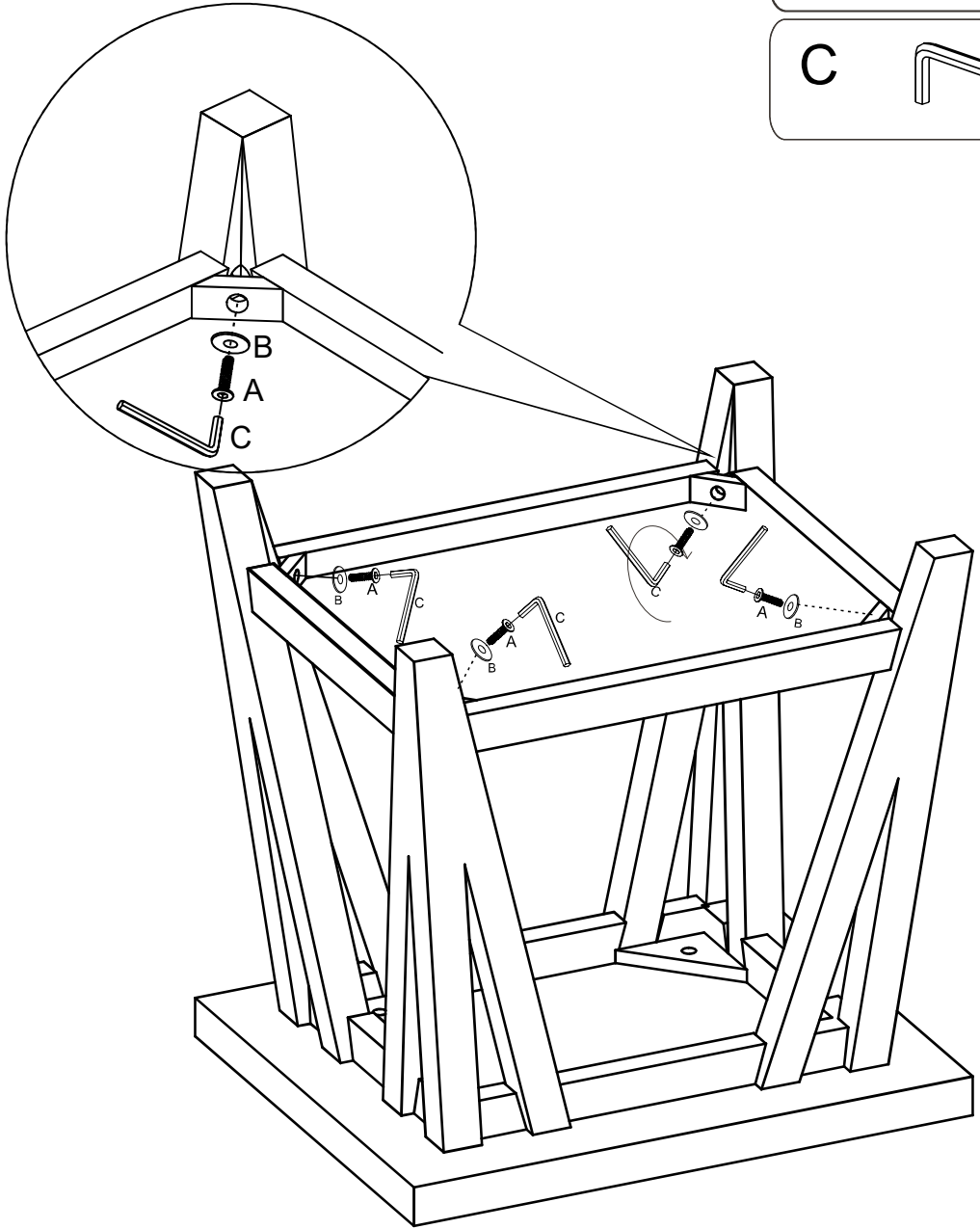
C  01

02



03

- A  04
50 x 6mm
- B  04
- C  01



04

